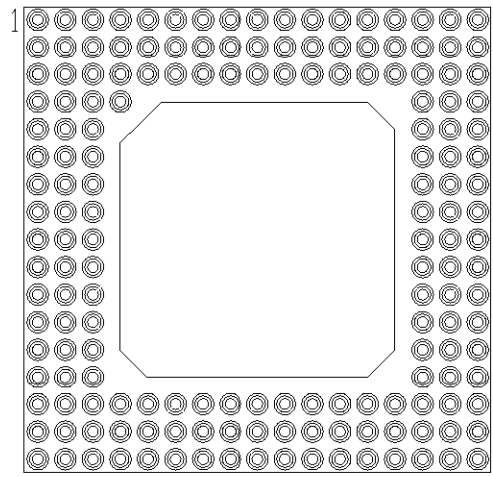
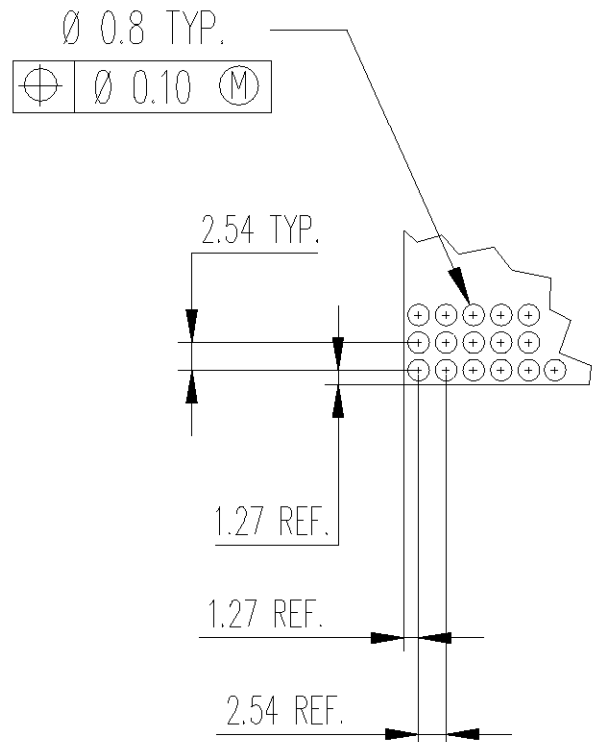
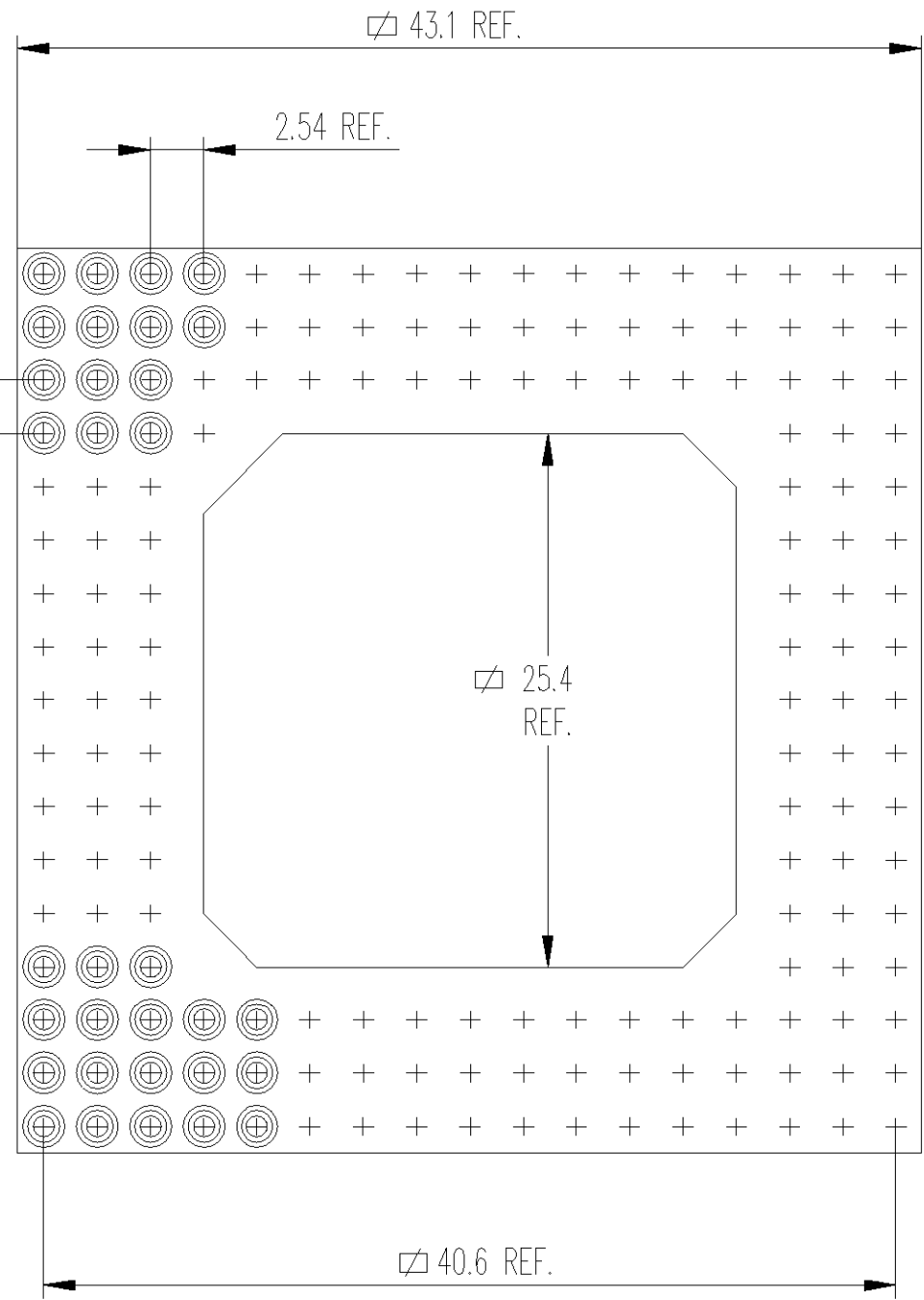
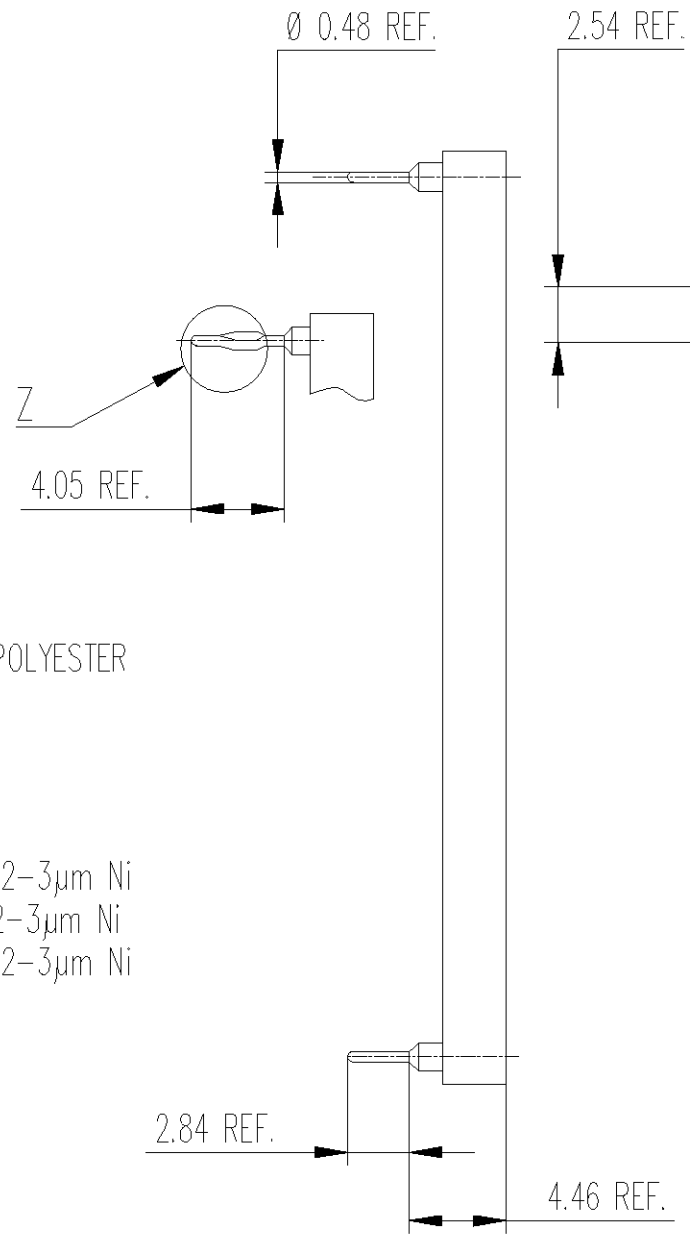


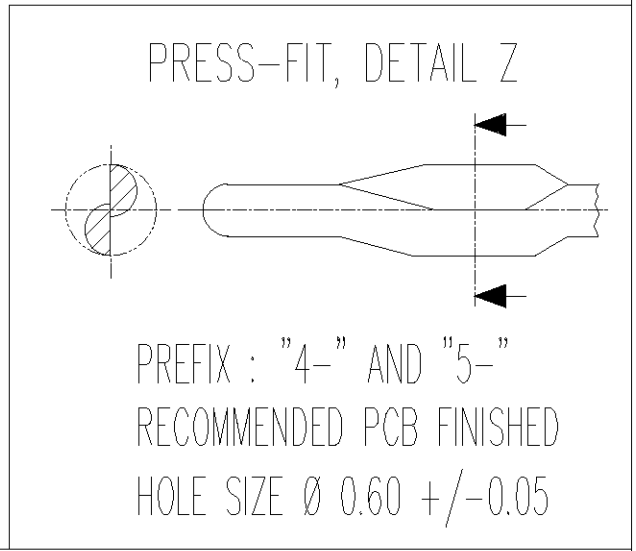
DRAWING NO
C - 210227



169 positions
Ech. 1:1



RECOMMENDED P.C.
BOARD PATTERN



- NOTE :
- MATERIAL
 - INSULATOR : GLASSFILLED THERMOPLASTIC POLYESTER
 - SOLDER TAIL SLEEVE : BRASS
 - PRESS-FIT SLEEVE : PHOSPHOR BRONZE
 - CLIP : STAMPED BERYLLIUM COPPER
 - SLEEVE PLATING:
 - PREFIX "0-" AND "2-": 5 μ m Sn/Pb OVER 2-3 μ m Ni
 - PREFIX "1-" AND "3-": 0.25 μ m Au OVER 2-3 μ m Ni
 - PREFIX "4-" AND "5-": 3 μ m Sn/Pb OVER 2-3 μ m Ni
 - INNER CONTACT PLATING
 - SUFFIX "-1" 0.25 μ m 18c. Au
 - SUFFIX "-3" 0.75 μ m 18c. Au
 - SUFFIX "-4" 0.75 μ m 24c. Au
 - SUFFIX "-5" 5 μ m MIN. Sn/Pb **
 - SUFFIX "-6" 0.1 μ m FLASH 24c. Au
 - ** ONLY WITH PREFIX "0-", "2-", "4-" AND "5-"
 - INNER SPRING CONTACT ACCEPT $\varnothing 0.40$ TO 0.56
OR RECTANGULAR PIN 0.25×0.45
 - INSERTION CHARACTERISTICS:
 - PREFIX "0-", "1-" AND "4-": VERY LOW FORCE
 - PREFIX "2-", "3-" AND "5-": ULTRA LOW FORCE
 - MECHANICAL DATA WITH A $\varnothing 0.43$ TEST PIN :

	ULI	ULI
-MAX. INSERTION FORCE :	0.7N	0.2N
-MIN. EXTRACTION FORCE :	0.1N	0.05N
-MECHANICAL LIFE :	100 CYCLES MIN.	

DIMENSIONS	mm								DRAWN P.-A. MEIER 16 APR 99	THIS INFORMATION IS CONFIDENTIAL AND IS DISCLOSED TO YOU ON CONDITION THAT NO FUTHER DISCLOSURE IS MADE BY YOU TO OTHER THAN AMP PERSONNEL WITHOUT WRITTEN AUTHORIZATION FROM DSM SWITZERLAND.				
									CHECKED A. BOLIS 16 APR 99					
SURFACE TEXTURE			B1	EW00-0107-02	E. BRESSOUD	24 APR 02	H. CACHOD		APPROVED	NAME OPEN FRAME PGA 17 x 17, 169 SOCKETS				
CONCENTRICITY		0.15	0	FIRST ISSUE					CUSTOMER DRAWING					
PRODUCT SPEC.			P	REV	ECN	DRWN	DATE	APVD	FOR REFERENCE ONLY					
AMP DSM DECOLLETAGE SA SAINT-MAURICE CH 1890 SAINT-MAURICE (VS)									LOC EK	SCALE 2/1	SIZE A4	DRAWING NO C - 210227	SHEET 1 of 1	REVISION B1

WAS 700-169-17-0-CC AND CCAP
WAS 345632-6 TO 10